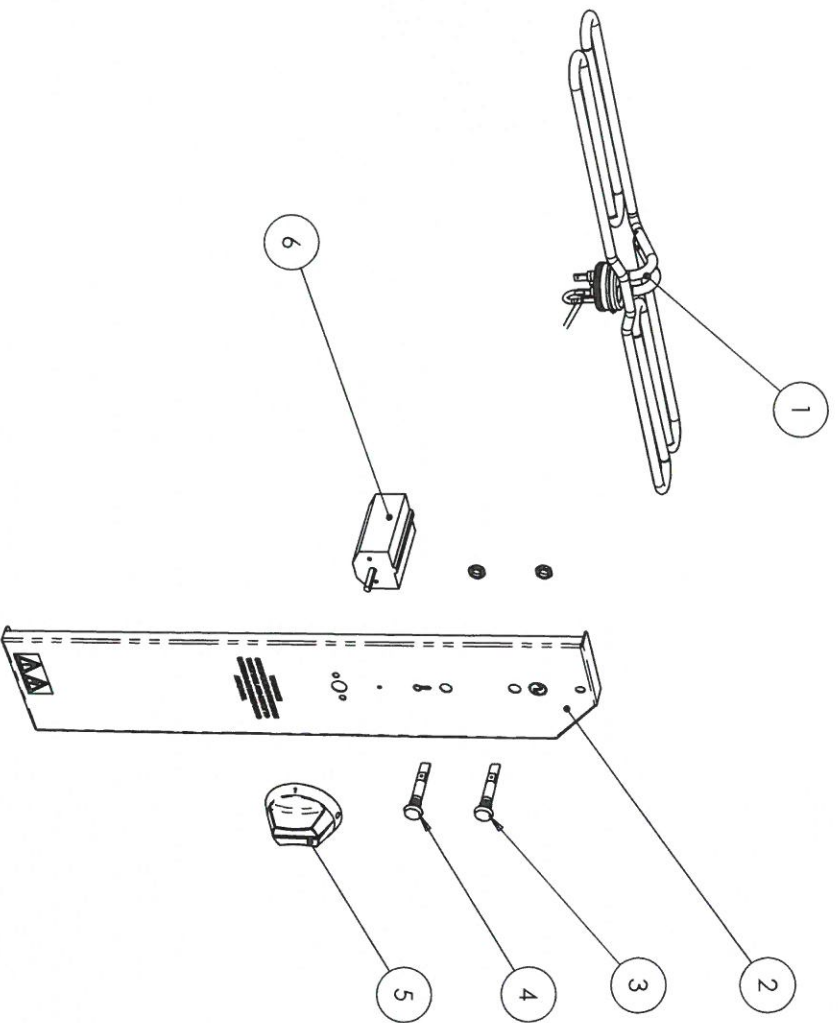


DOMINATOR PLUS



| ITEM | DESCRIPTION | SPARES NO. |
|------|------------------------------------|------------|
| | ELEMENT (STANDARD) | 730840010 |
| | ELEMENT (220V) FOR 380V 3N~ | 730860070 |
| | ELEMENT (254V) FOR 440V 3N~ | 730860080 |
| | ELEMENT (277V) FOR 480V 3N~ | 730860090 |
| 1 | ELEMENT (380V) FOR 380V 3~ | 730860100 |
| | ELEMENT (415V) FOR 415V 3~ | 730860110 |
| | ELEMENT (440V) FOR 440V 3~ | 730860120 |
| | ELEMENT (480V) FOR 480V 3~ | 730860130 |
| 2 | CONTROL PANEL | 730870000 |
| 3 | MAINS INDICATOR RED C/W NUT | 730860010 |
| | NON STD VOLTAGE INDICATOR RESISTOR | 734000025 |
| 4 | HEAT INDICATOR AMBER C/W NUT | 730860020 |
| | NON STD VOLTAGE INDICATOR RESISTOR | 734000025 |
| 5 | CONTROL KNOB | 730870001 |
| 6 | 3 POSITION SWITCH | 730840040 |



| Issue | Alteration | Date | Product | Document Reference |
|-------|---------------|----------|---------|--------------------|
| A | Initial Issue | 09/08/11 | E3478 | AB49156 |